

DS3658

Quad High Current Peripheral Driver

General Description

The DS3658 quad peripheral driver is designed for those applications where low operating power, high breakdown voltage, high output current and low output ON voltage are required. A unique input circuit combines TTL compatibility with high impedance. In fact, its extreme low input current allows it to be driven directly by a CMOS device.

The outputs are capable of sinking 600 mA each and offer a 70V breakdown. However, for inductive loads the output should be clamped to 35V or less to avoid latch-up during turn off (inductive fly back protection—refer AN-213). An on-chip clamp diode capable of handling 800 mA is provided at each output for this purpose. In addition, the DS3658 incorporates circuitry that guarantees glitch-free power up or down operation and a fail-safe feature which puts the output in a high impedance state when the input is open.

The molded package is specifically constructed to allow increased power dissipation over conventional packages. The four ground pins are directly connected to the device chip with a special cooper lead frame. When the quad driver is soldered into a PC board, the power rating of the device improves significantly.

Applications

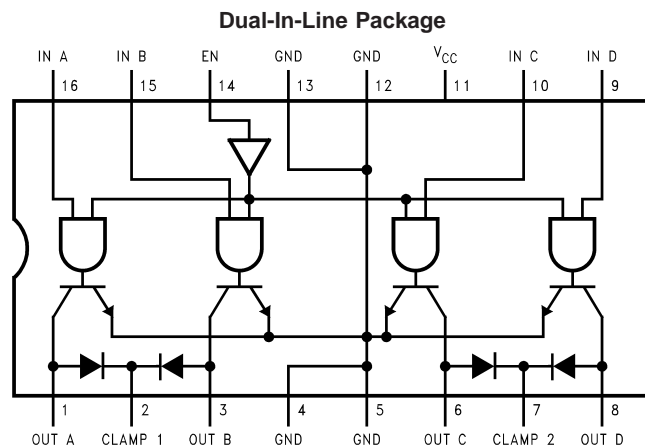
- Relay drivers
- Lamp drivers
- Solenoid drivers
- Hammer drivers
- Stepping motor drivers

- Triac drivers
- LED drivers
- High current, high voltage drivers
- Level translators
- Fiber optic LED drivers

Features

- Single saturated transistor outputs
- Low standby power, 10 mW typical
- High impedance TTL compatible inputs
- Outputs may be tied together for increased current capacity
- High output current
 - 600 mA per output
 - 2.4A per package
- No output latch-up at 35V
- Low output ON voltage (350 mV typ @ 600 mA)
- High breakdown voltage (70V)
- Open collector outputs
- Output clamp diodes for inductive fly back protection
- NPN inputs for minimal input currents (1 μ A typical)
- Low operating power
- Standard 5V power supply
- Power up/down protection
- Fail safe operation
- 2W power package
- Pin-for-pin compatible with SN75437

Connection Diagram



Top View
Order Number DS3658N
See NS Package Number N16E

Absolute Maximum Ratings (Note 1)

If Military/Aerospace specified devices are required, please contact the National Semiconductor Sales Office/Distributors for availability and specifications.

| | |
|--|---------|
| Supply Voltage | 7V |
| Input Voltage | 15V |
| Output Voltage | 70V |
| Output Current | 1.5A |
| Continuous Power Dissipation @ 25°C Free-Air (Note 5) | 2075 mW |

| | |
|---|-----------------|
| Storage Temperature Range | -65°C to +150°C |
| Lead Temperature (Soldering, 4 sec.) | 260°C |

Operating Conditions

| | Min | Max | Units |
|---------------------|------|------|-------|
| Supply Voltage | 4.75 | 5.25 | V |
| Ambient Temperature | 0 | 70 | °C |

Electrical Characteristics (Notes 2, 3)

| Symbol | Parameter | Conditions | Min | Typ | Max | Units |
|-----------|------------------------|-------------------------------------|-----|------|----------|---------|
| V_{IH} | Input High Voltage | | 2.0 | | | V |
| V_{IL} | Input Low Voltage | | | | 0.8 | V |
| I_{IH} | Input High Current | $V_{IN} = 5.25V$, $V_{CC} = 5.25V$ | | 1.0 | 1.0 | μA |
| I_{IL} | Input Low Current | $V_{IN} = 0.4V$ | | | ± 10 | μA |
| V_{IK} | Input Clamp Voltage | $I_I = -12 \text{ mA}$ | | -0.8 | -1.5 | V |
| V_{OL} | Output Low Voltage | $I_L = 300 \text{ mA}$ | | 0.2 | 0.4 | V |
| | | $I_L = 600 \text{ mA}$ (Note 4) | | 0.35 | 0.7 | V |
| I_{CEX} | Output Leakage Current | $V_{CE} = 70V$, $V_{IN} = 0.8V$ | | | 100 | μA |
| V_F | Diode Forward Voltage | $I_F = 800 \text{ mA}$ | | 1.0 | 1.6 | V |
| I_R | Diode Leakage Current | $V_R = 70V$ | | | 100 | μA |
| I_{CC} | Supply Current | All Inputs High | | 60 | 85 | mA |
| | | All Inputs Low | | 2 | 4 | mA |

Switching Characteristics (Note 2)

| Symbol | Parameter | Conditions | Min | Typ | Max | Units |
|-----------|----------------|--------------------------------|-----|------|------|-------|
| t_{PHL} | Turn On Delay | $R_L = 60\Omega$, $V_L = 30V$ | | 226 | 500 | ns |
| t_{PLH} | Turn Off Delay | $R_L = 60\Omega$, $V_L = 30V$ | | 2430 | 8000 | ns |

Note 1: "Absolute Maximum Ratings" are those values beyond which the safety of the device cannot be guaranteed. They are not meant to imply that the device should be operated at these limits. The table of "Electrical Characteristics" provides conditions for actual device operation.

Note 2: Unless otherwise specified, min/max limits apply across the 0°C to +70°C temperature range and the 4.75V to 5.25V power supply range. All typical values are for $T_A = 25^\circ\text{C}$ and $V_{CC} = 5.0V$.

Note 3: All currents into device pins are shown as positive, all currents out of device pins are shown as negative, all voltages are referenced to ground, unless otherwise specified. All values shown as max or min are so classified on absolute value basis.

Note 4: All sections of this quad circuit may conduct rated current simultaneously, however, power dissipation averaged over a short interval of time must fall within specified continuous dissipation ratings.

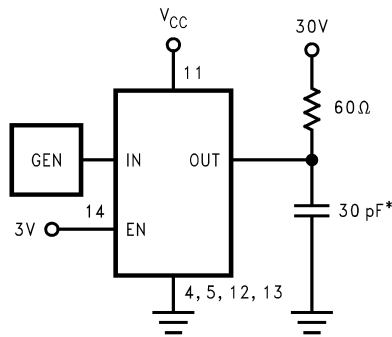
Note 5: For operation over 25° free-air temperature, derate linearly to 1328 mW @ 70°C @ the rate of 16.6 mW/°C.

Truth Table

| IN | EN | OUT |
|----|----|-----|
| H | H | L |
| L | H | Z |
| H | L | Z |
| L | L | Z |

H = High state
L = Low state
Z = High impedance state

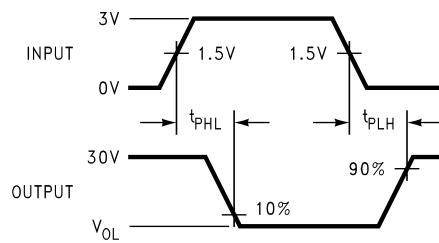
AC Test Circuit



*Includes probe and jig capacitance.

00581902

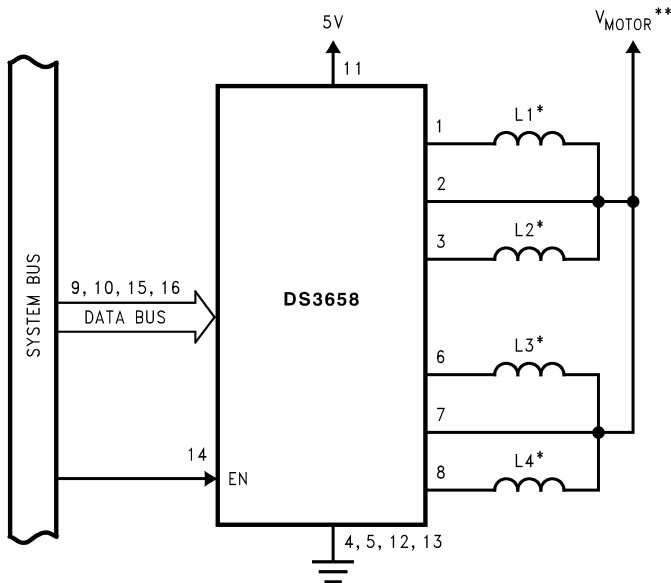
Switching Waveforms



00581903

Typical Applications

Stepping Motor Driver

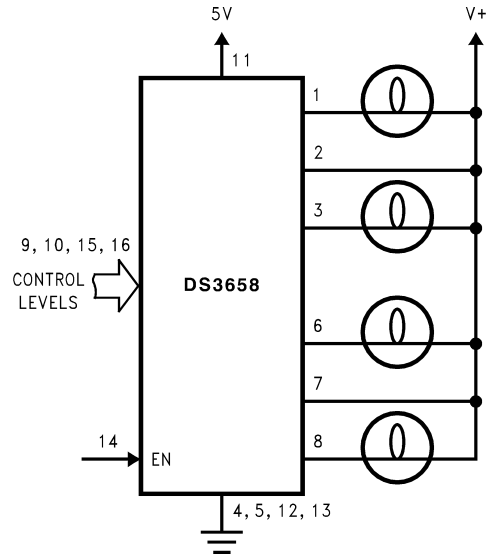


*L1, L2, L3, L4 are the windings of a bifilar stepping motor.

** V_{MOTOR} is the supply voltage of the motor.

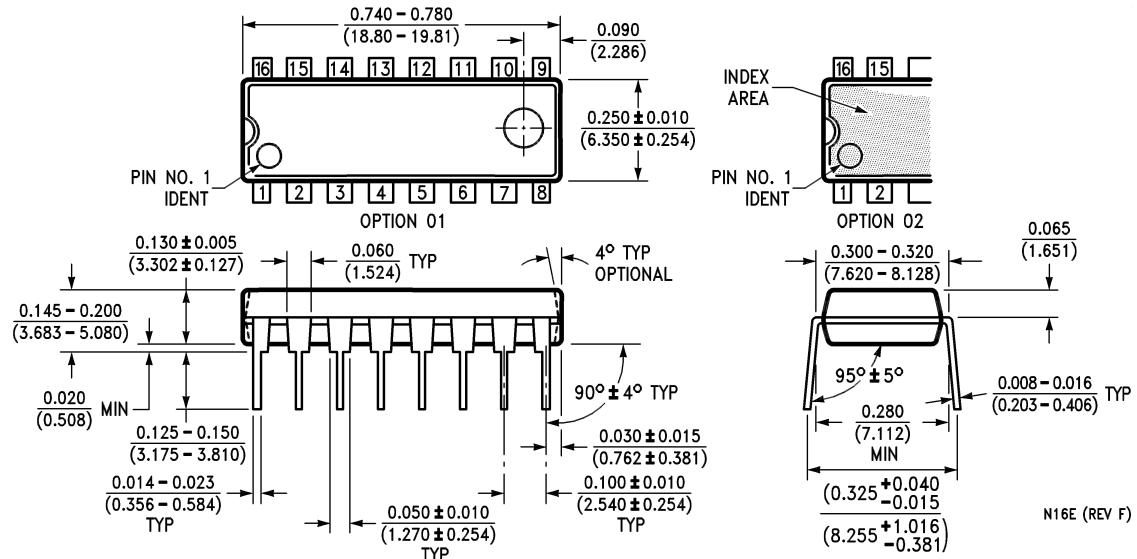
00581904

Lamp Driver



00581905

Physical Dimensions inches (millimeters) unless otherwise noted



Molded Dual-In-Line Package (N)
Order Number DS3658N
NS Package Number N16E

LIFE SUPPORT POLICY

NATIONAL'S PRODUCTS ARE NOT AUTHORIZED FOR USE AS CRITICAL COMPONENTS IN LIFE SUPPORT DEVICES OR SYSTEMS WITHOUT THE EXPRESS WRITTEN APPROVAL OF THE PRESIDENT AND GENERAL COUNSEL OF NATIONAL SEMICONDUCTOR CORPORATION. As used herein:

1. Life support devices or systems are devices or systems which, (a) are intended for surgical implant into the body, or (b) support or sustain life, and whose failure to perform when properly used in accordance with instructions for use provided in the labeling, can be reasonably expected to result in a significant injury to the user.
2. A critical component is any component of a life support device or system whose failure to perform can be reasonably expected to cause the failure of the life support device or system, or to affect its safety or effectiveness.



National Semiconductor Corporation
 Americas
 Email: support@nsc.com

National Semiconductor Europe
 Fax: +49 (0) 180-530 85 86
 Email: europe.support@nsc.com
 Deutsch Tel: +49 (0) 69 9508 6208
 English Tel: +44 (0) 870 24 0 2171
 Français Tel: +33 (0) 1 41 91 8790

National Semiconductor Asia Pacific Customer Response Group
 Tel: 65-2544466
 Fax: 65-2504466
 Email: ap.support@nsc.com

National Semiconductor Japan Ltd.
 Tel: 81-3-5639-7560
 Fax: 81-3-5639-7507

www.national.com